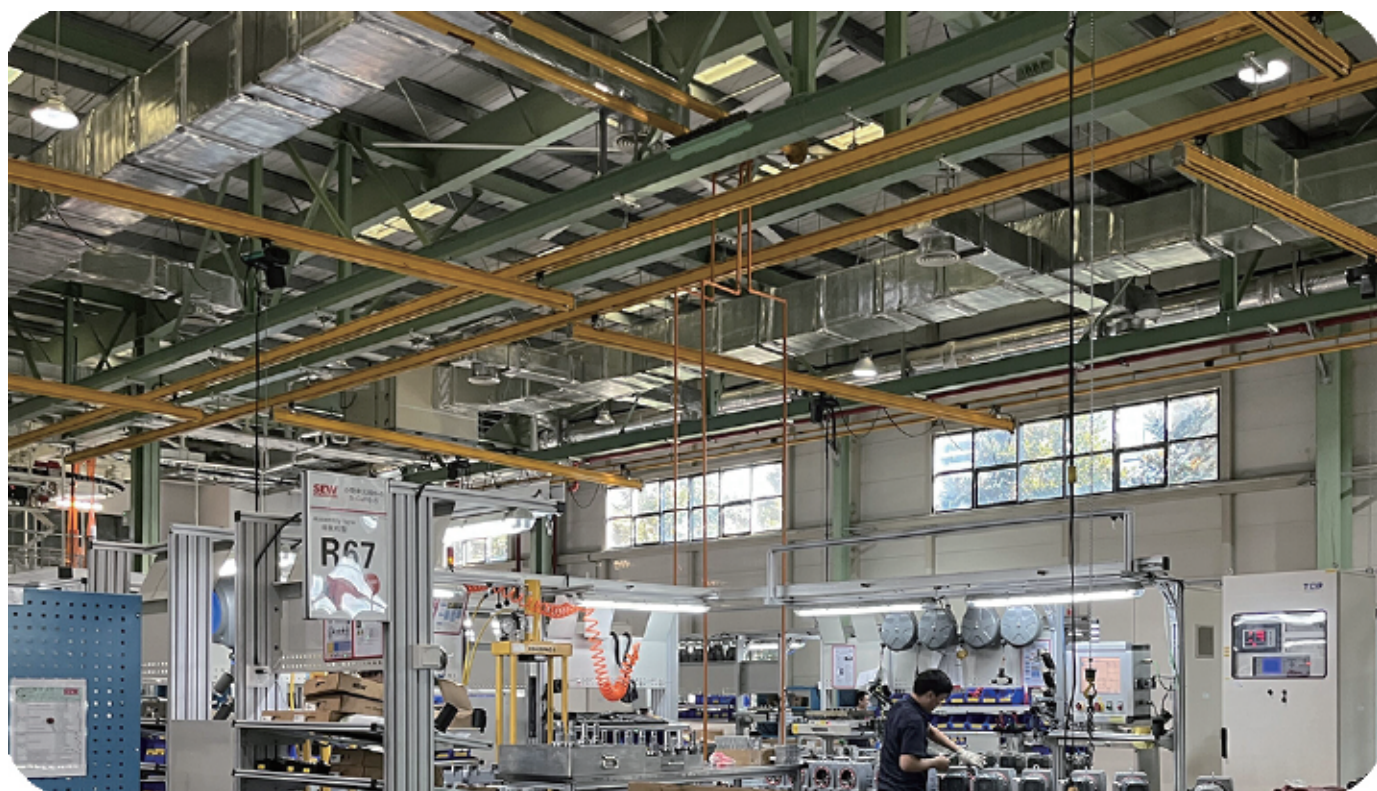
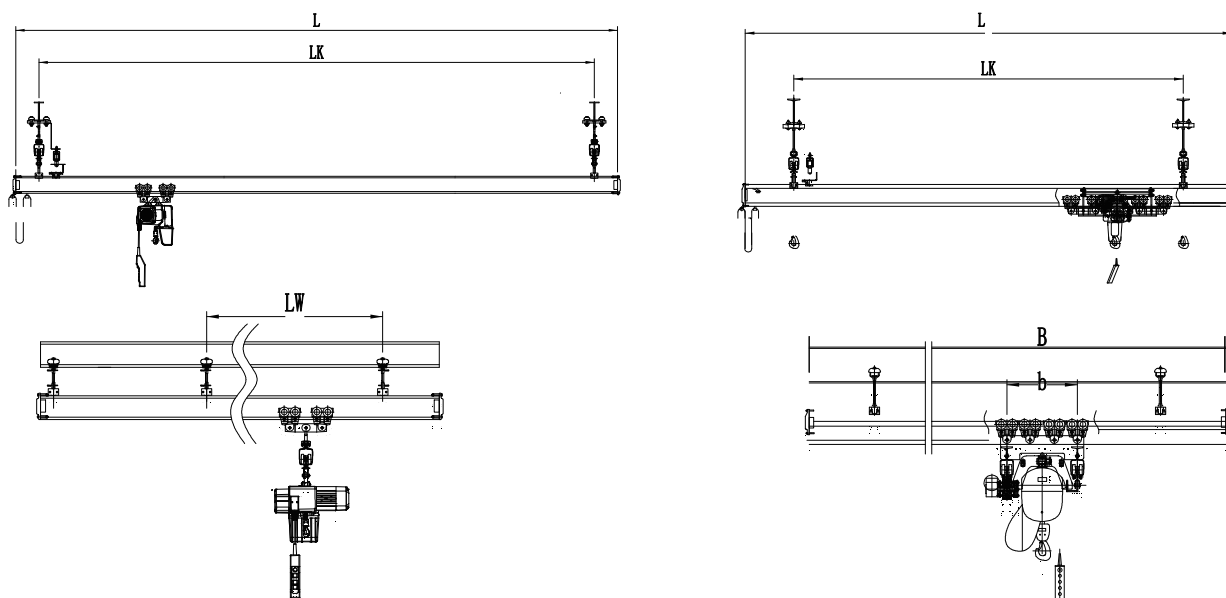


KPK System



Basic Information				Maximum Hanger Spacing of Single Girder LW			Maximum Hanger Spacing of Double Girder LW		
Model	Load Capacity	Bending Radius	Bending Angle	250kg	500kg	1000kg	500kg	1000kg	2000kg
KBK-I	500kg	$\geq 1000\text{mm}$	$10^\circ \sim 90^\circ$	2.8m	/	/	/	/	/
KBK-II	1000kg	$\geq 1500\text{mm}$	$10^\circ \sim 90^\circ$	6m	3.8m	1.8m	/	/	/
KBK-III	2000kg	$\geq 1500\text{mm}$	$10^\circ \sim 90^\circ$	6.8m	6m	3.5m	7.5m	6m	3.5m