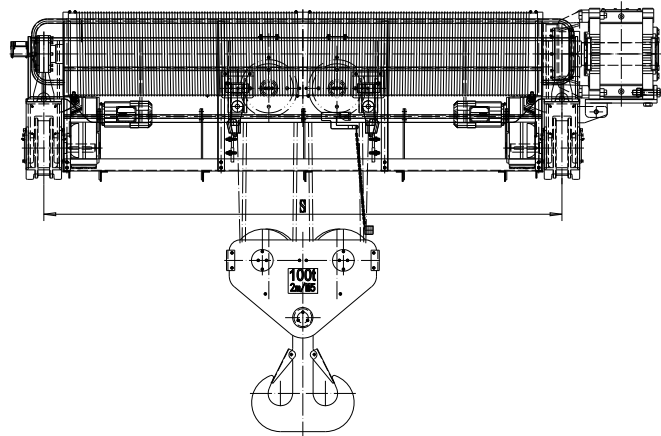
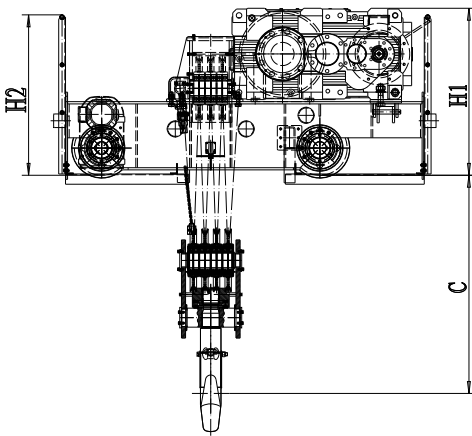


NWA

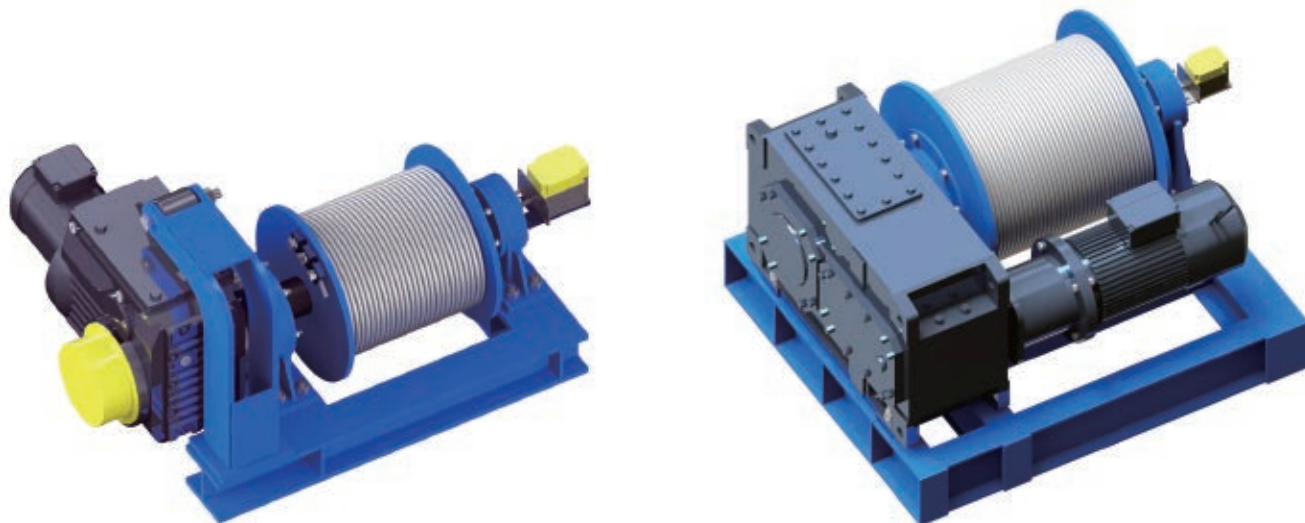
Electric Winch



Capacity (t)	Lifting Height (m)	Lifting Speed (m/min)	Power of Lifting (kW)	Traveling speed (m/min)	Power of Traveling (kW)	Work Duty FEM/ISO	H1/H2 (mm)	C (mm)	Rail Distance S (mm)
10	16	0.65~6.5	11	2~20	0.55×2	2m/M5	632/1155	850	1600
	20								2100
16	16	0.4~4	11	2~20	0.75×2	2m/M5	632/1155	950	2000
	20								
20	15	0.4~4	15	2~20	0.75×2	2m/M5	762/1160	1000	2000
	20								2500
25	16	0.4~4	18.5	2~20	1.1×2	2m/M5	825/1160	1150	2000
	20								
32	12	0.4~4	22	2~20	1.5×2	2m/M5	885/1160	1150	2000
	18								2800
40	12	0.4~4	30	2~20	1.5×2	2m/M5	960/1193	1250	2000
	18								
50	12	0.4~4	37	2~20	2.2×2	2m/M5	1030/1193	1250	2300
	18								3200
63	12	0.4~4	45	2~20	3.0×2	2m/M5	1200/1193	1400	2300
	18								
80	12	0.3~3	45	2~20	3.0×2	2m/M5	1250/1176	1500	2700
	18								3800
100	12	0.25~2.5	45	2~20	4.0×2	2m/M5	1315/1176	1600	2800
	18								

NWC

Construction Winch

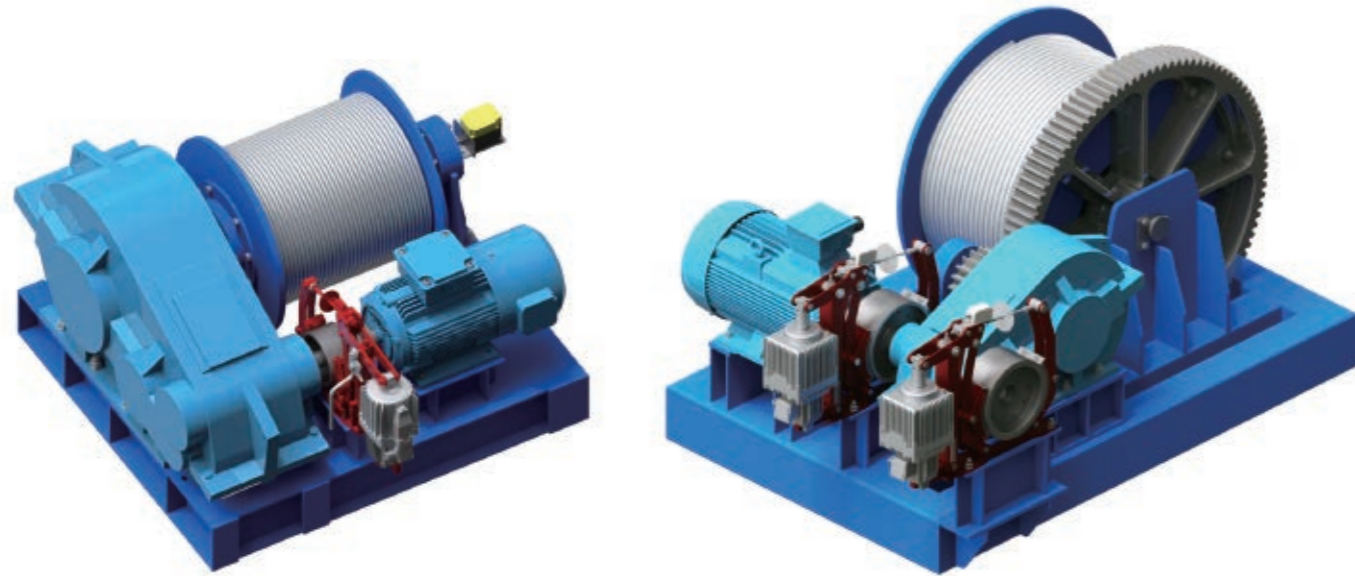


Capacity (t)	2	3	5	6.3
Max.Lifting Speed (m/min)	1~10	1~10	0.8-8	0.8-8
Max.Wire Rope Capacity (m)	160	180	200	200
Work Duty	M4/1Am	M4/1Am	M4/1Am	M4/1Am
Wire Rope Diameter (mm)	φ12	φ16	φ20	φ22
Drum Diameter (mm)	φ273	φ325	φ402	φ425
Motor Model	YEJ 112M-4	YEJ 132S-4	YEJ 132M-4	YEJ 132M1-4
Motor Power (kW)	4	5.5	7.5	9

Capacity (t)	8	10	12.5	16
Max.Lifting Speed (m/min)	0.8-8	0.8-8	0.8-8	0.8-8
Max.Wire Rope Capacity (m)	200	300	300	300
Work Duty	M4/1Am	M4/1Am	M4/1Am	M4/1Am
Wire Rope Diameter (mm)	φ24	φ26	φ30	φ34
Drum Diameter (mm)	φ500	φ560	φ630	φ680
Motor Model	YEJ 160M-4	YEJ 160L-4	YEJ 180M-4	YEJ 180L-4
Motor Power (kW)	11	15	18.5	22

JK / JM

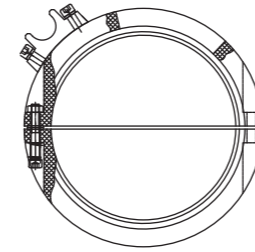
Construction Winch



Capacity (t)		2	3	5	6.3
Max.Lifting Speed (m/min)	JM	1~10	1~10	0.8-8	0.8-8
	JK	2~20	2~20	1.6-16	1.6-16
Max.Wire Rope Capacity (m)		160	180	200	200
Work Duty		M4/1Am	M4/1Am	M4/1Am	M4/1Am
Wire Rope Diameter (mm)		φ12	φ16	φ20	φ22
Drum Diameter (mm)		φ273	φ325	φ402	φ425
Motor Model	JM	YZP132M1-6	YZP132M2-6	YZP160M-6	YZP160L-6
	JK	YZP160M-6	YZP160L-6	YZP180L-6	YZP200L-6
Motor Power	JM	4	5.5	7.5	11
	JK	7.5	11	15	22

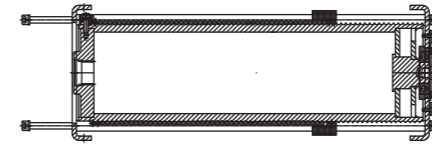
Capacity (t)		8	10	12.5	16
Max.Lifting Speed (m/min)	JM	0.8-8	0.8-8	0.8-8	0.8-8
	JK	1.6-16	1.6-16	1.6-16	1.6-16
Max.Wire Rope Capacity (m)		200	300	300	300
Work Duty		M4/1Am	M4/1Am	M4/1Am	M4/1Am
Wire Rope Diameter (mm)		φ24	φ26	φ30	φ34
Drum Diameter (mm)		φ500	φ560	φ630	φ680
Motor Model	JM	YZP160L-6	YZP180L-6	YZP200L-6	YZP200L-6
	JK	YZP200L-6	YZP225M-6	YZP250M1-6	YZP250M2-6
Motor Power	JM	11	15	22	22
	JK	22	30	37	45

Hoist Spare Parts - Rope Guider



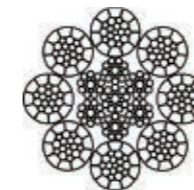
Capacity	Dia.Wire Rope	Dia.Drum
3.2t	6mm	140mm
5t	8mm	190mm
10t	11mm	268mm
20t	15mm	299mm

Hoist Spare Parts - Drum



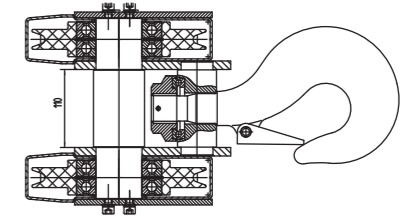
NHA	Drum Size	
Capacity	Dia.	Wall thickness
3.2t	140mm	12mm
5t	190mm	14mm
10t	268mm	14mm
20t	299mm	14.5mm

Hoist Spare Parts - Wire Rope

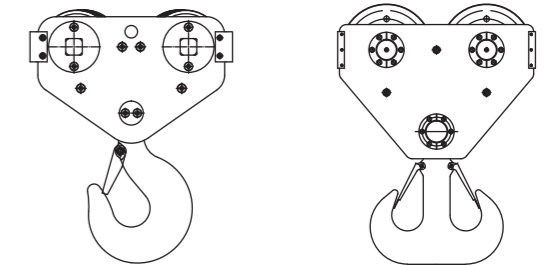


Diameter	Nominal length mass		Minimum Breaking Force		
			EEIP/2160		
mm	kg/m	Lb/Ft	kN	Tons (short)	Tonnes (metric)
10.0	0.471	0.316	93.2	10.5	9.50
11.0	0.570	0.383	115	12.9	11.7
12.0	0.678	0.456	134	15.1	13.7
13.0	0.796	0.535	157	17.6	16.0
14.0	0.923	0.620	182	20.5	18.6
15.0	1.06	0.712	207	23.3	21.1
16.0	1.21	0.810	236	26.5	24.1
17.0	1.36	0.915	267	30	27.2
18.0	1.53	1.03	299	33.6	30.5
19.0	1.70	1.14	333	37.4	34
20.0	1.88	1.27	369	41.5	37.6

Hoist Spare Parts - Hook Block



Capacity	Work Duty	Hook	Dia.Wire Rope	Fall
3.2t	M5	Single Hook	6mm	4/1
5t	M5	Single Hook	8mm	4/1
10t	M5	Single Hook	11mm	4/1
20t	M4	Single Hook	15mm	4/1



Capacity	Work Duty	Fall	Hook	Dia.of Wire Rope	
16t	M5	2/8	Single Hook	12mm	11mm
20t	M5	2/8	Single Hook	14mm	13mm
25t	M5	2/8	Single Hook	16mm	14mm
32t	M5	2/12	Single Hook	14mm	13mm
40t	M5	2/12	Single/Double Hook	16mm	14mm
50t	M5	2/12	Single/Double Hook	18mm	16mm
63t	M5	2/12	Double Hook	20mm	18mm
80t	M5	2/12	Double Hook	22mm	20mm
100t	M5	2/12	Double Hook	24mm	22mm

Hoist Spare Parts - Hoist Stopper



Capacity (kg)	Max.Hoist Weight (kg)	Max.Operating Speed (m/min)
2000	250	20
3200	250	20
5000	400	20
6300	400	20
8000	900	16
10000	900	16